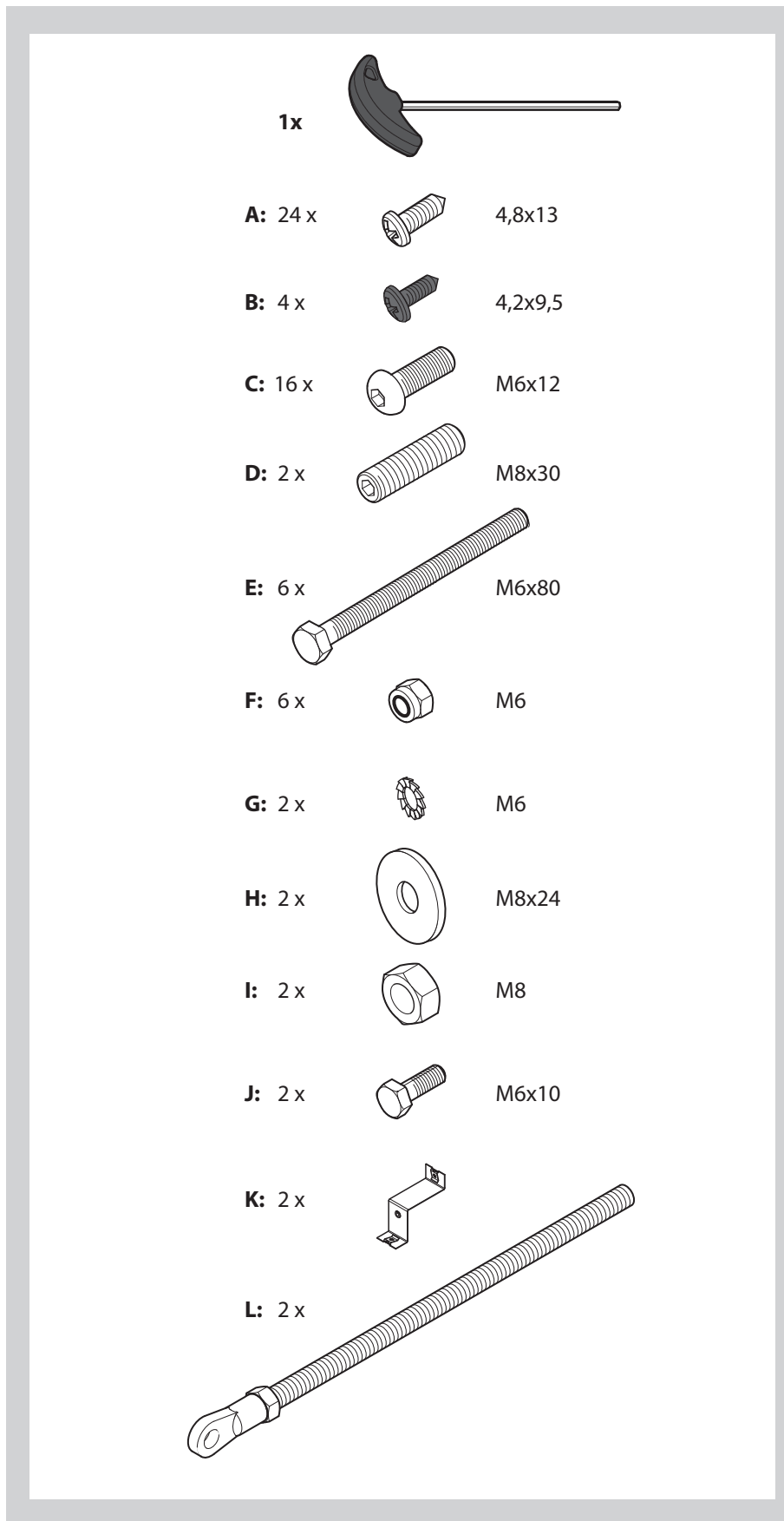


Luxura
by Hapro
X₃



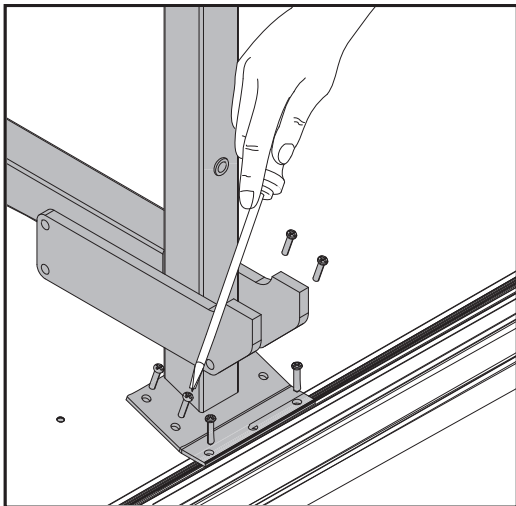
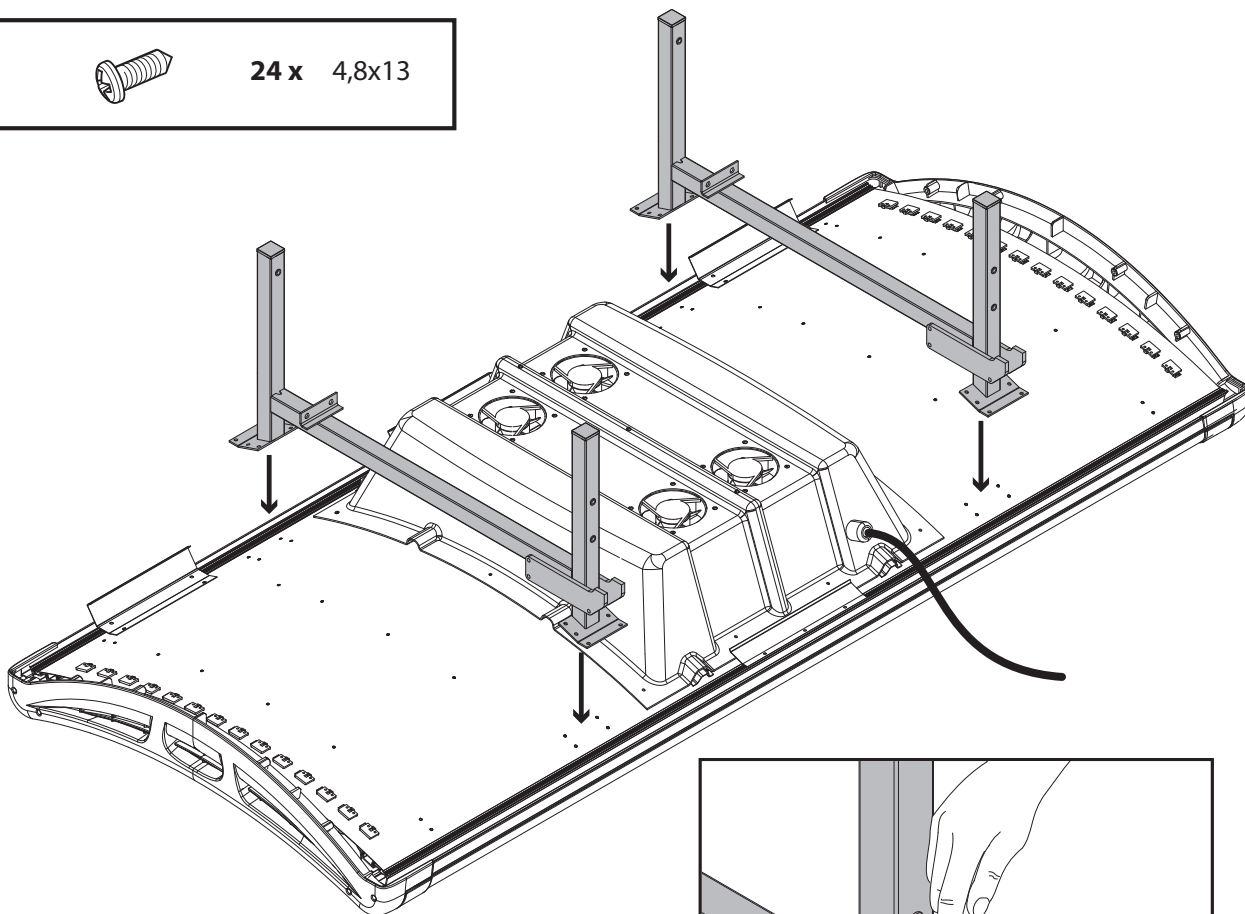
INSTALLATION INSTRUCTIONS • MONTAGEANLEITUNG •
MONTAGEHANDLEIDING • INSTRUCTIONS DE MONTAGE •
INSTRUCCIONES DE MONTAJE • ИНСТРУКЦИИ ПО УСТАНОВКЕ

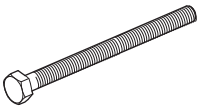




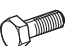
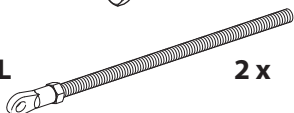
Assembly, Montage, Montage, Assemblage,

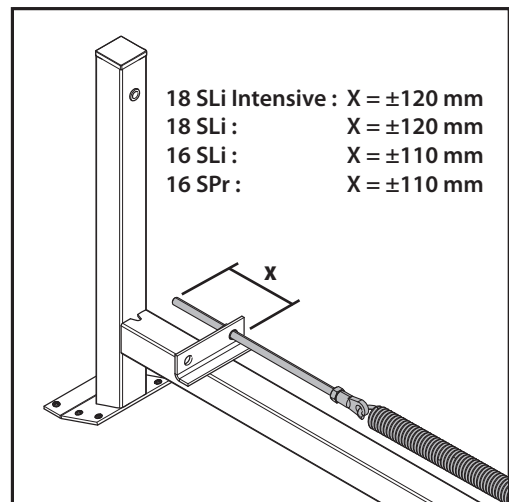
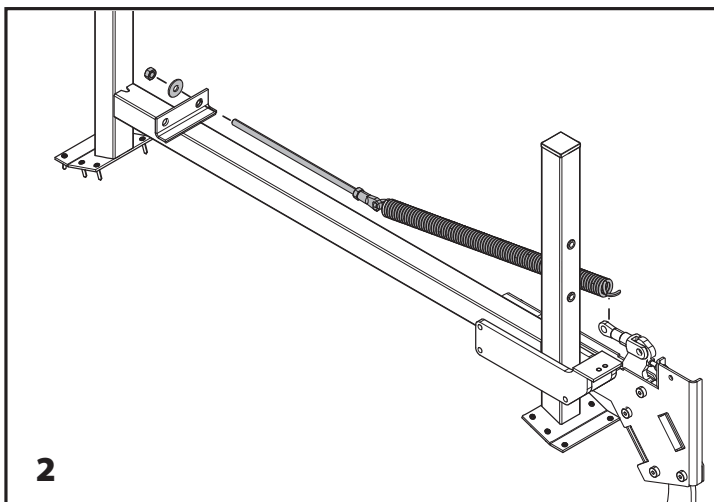
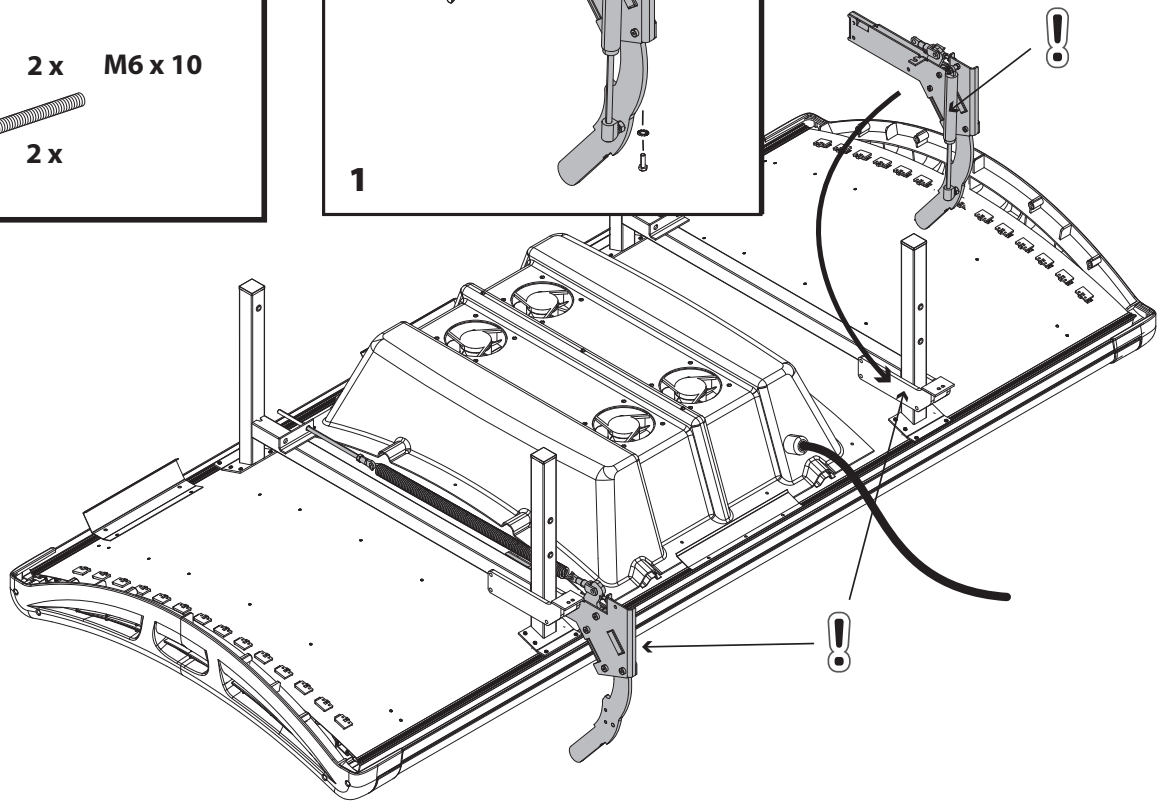
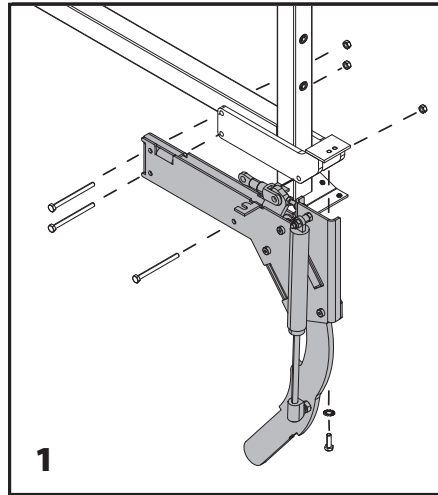


1

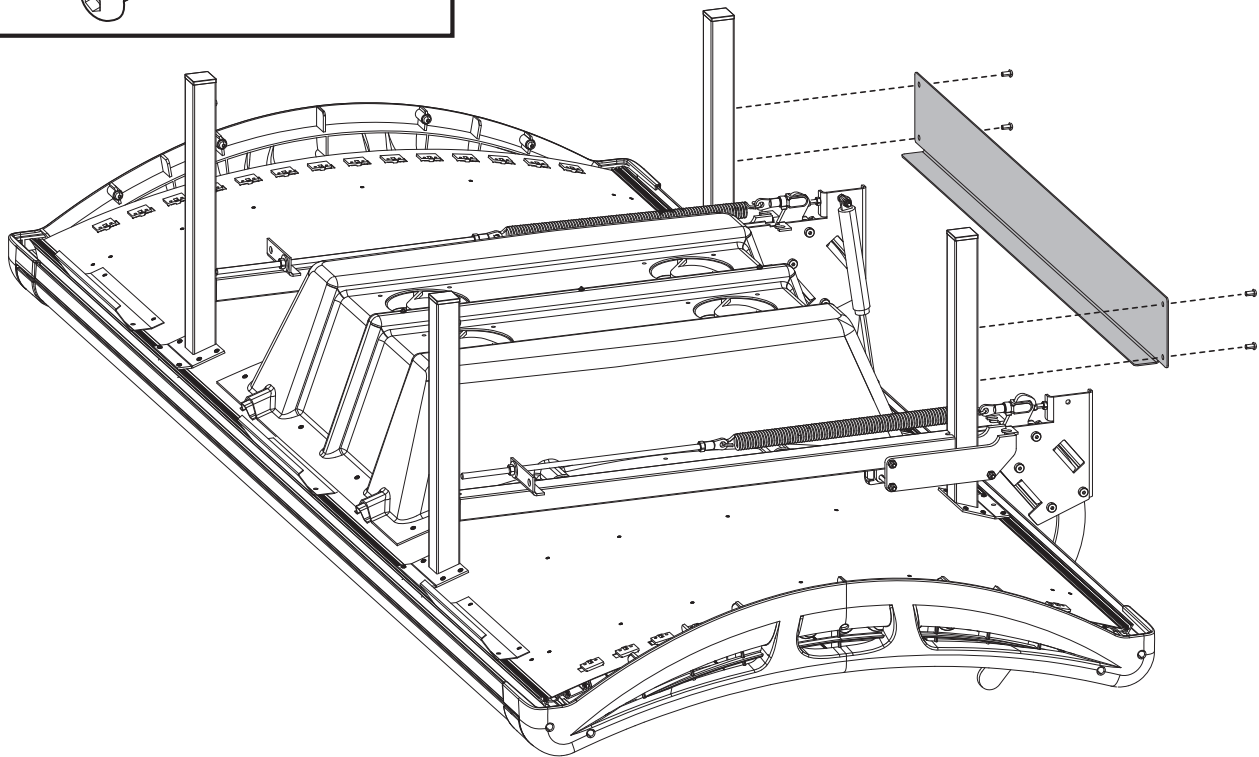
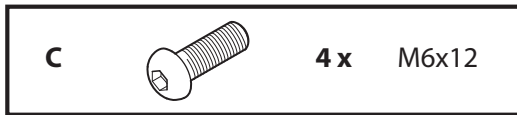
A  24 x 4,8x13



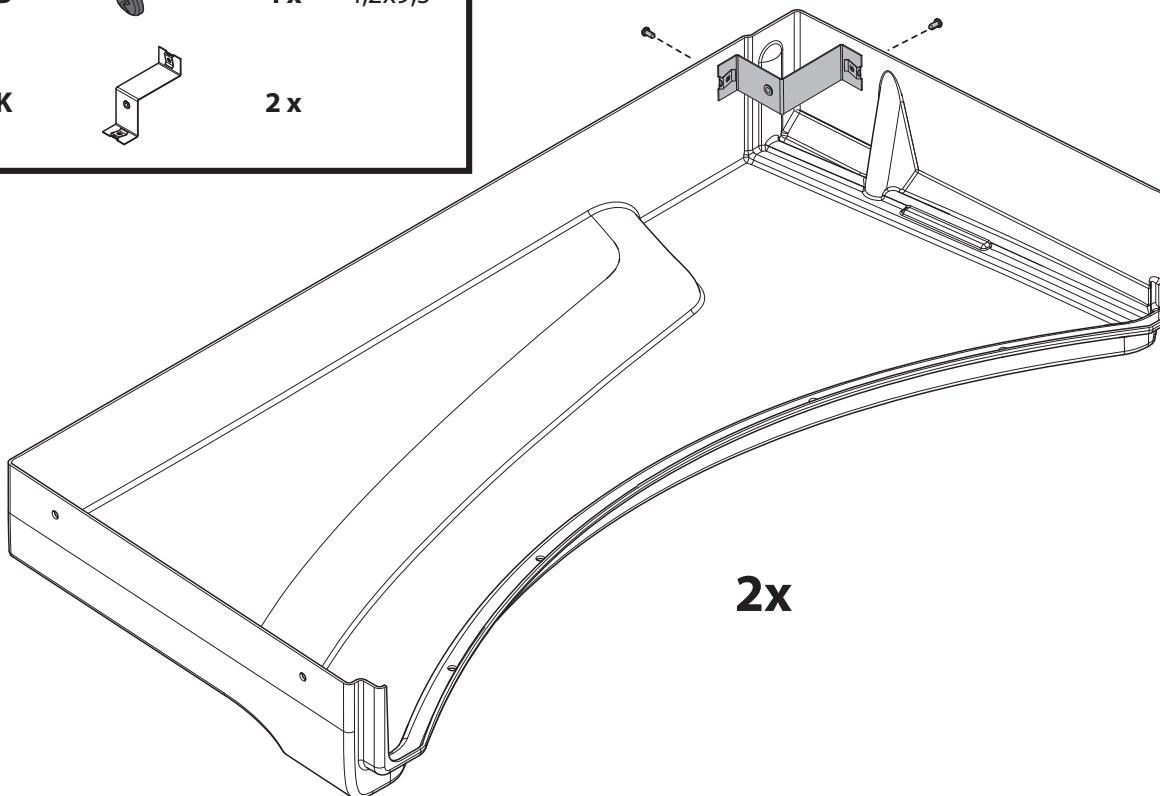
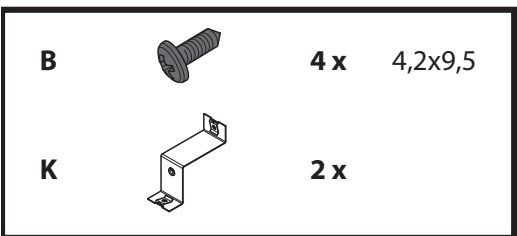
| | | | |
|----------|---|------------|----------------|
| E |  | 6 x | M6 x 80 |
| F |  | 6 x | M6 |
| G |  | 2 x | M6 |
| H |  | 2 x | M8 x 24 |
| I |  | 2 x | M8 |
| J |  | 2 x | M6 x 10 |
| L |  | 2 x | |



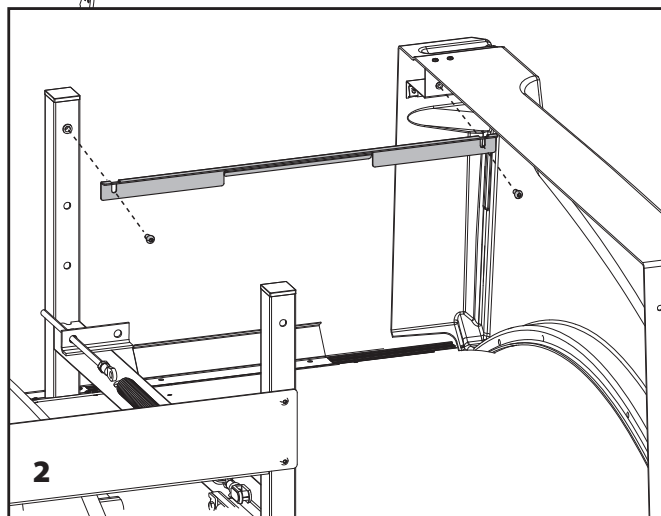
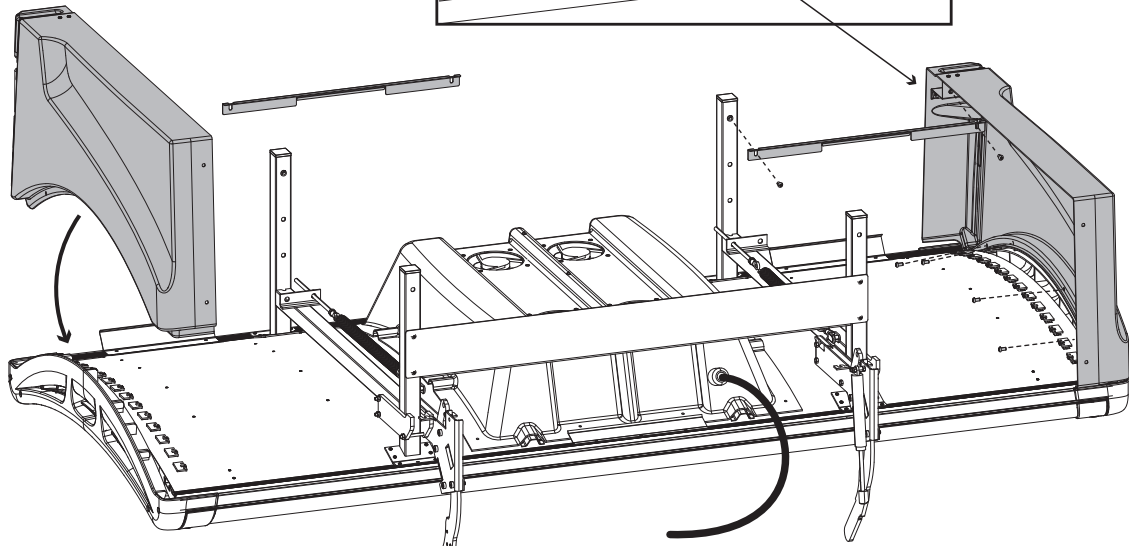
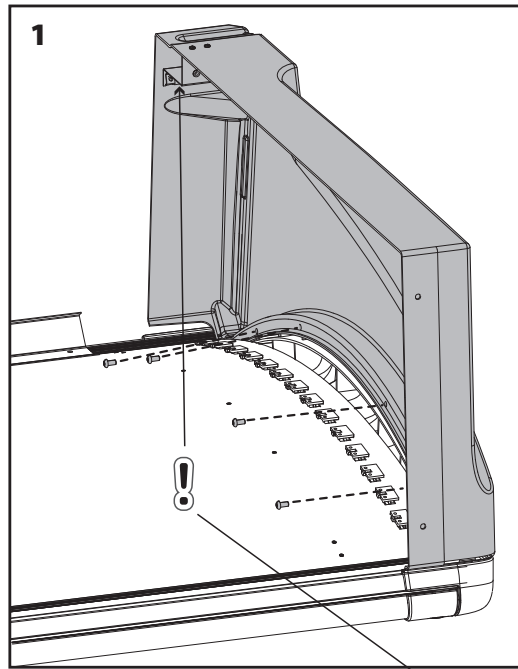
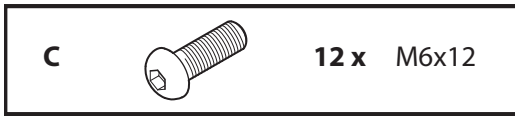
3



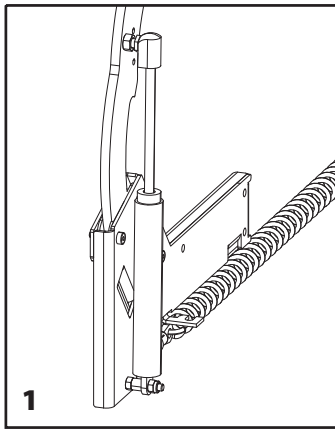
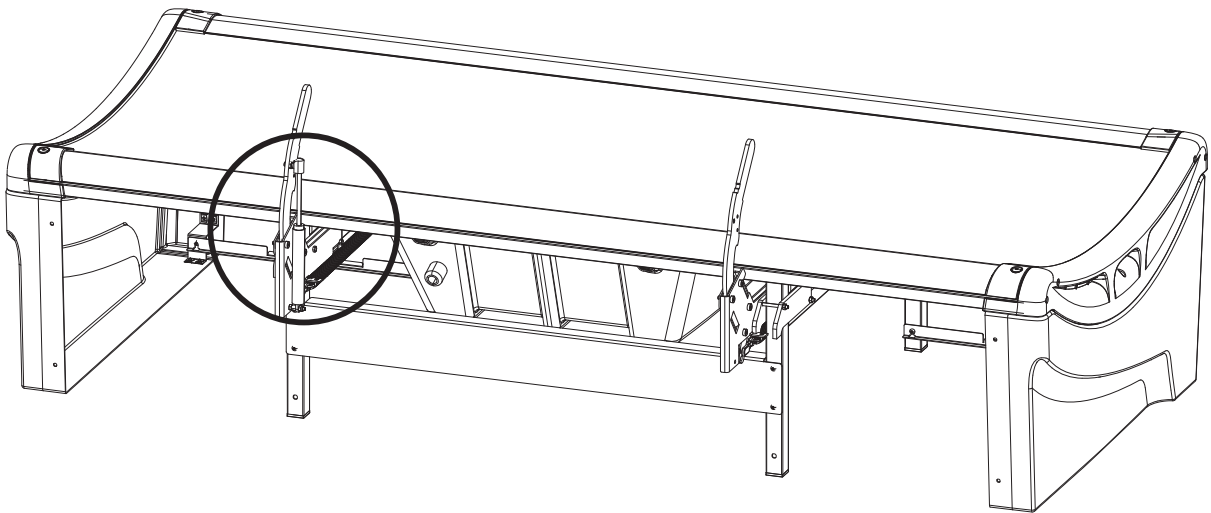
4



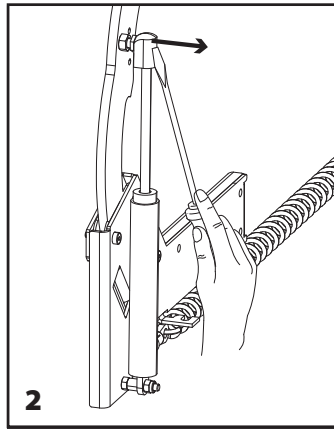
5



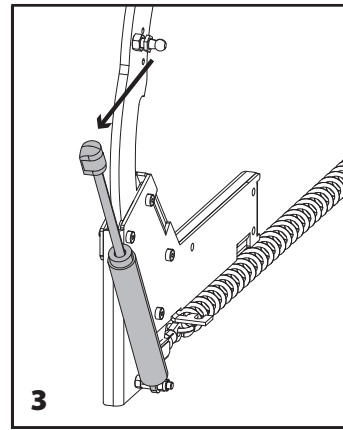
6



1



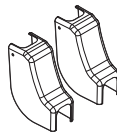
2



3

7

21632 Deco caps



21589

20344 Decoshield



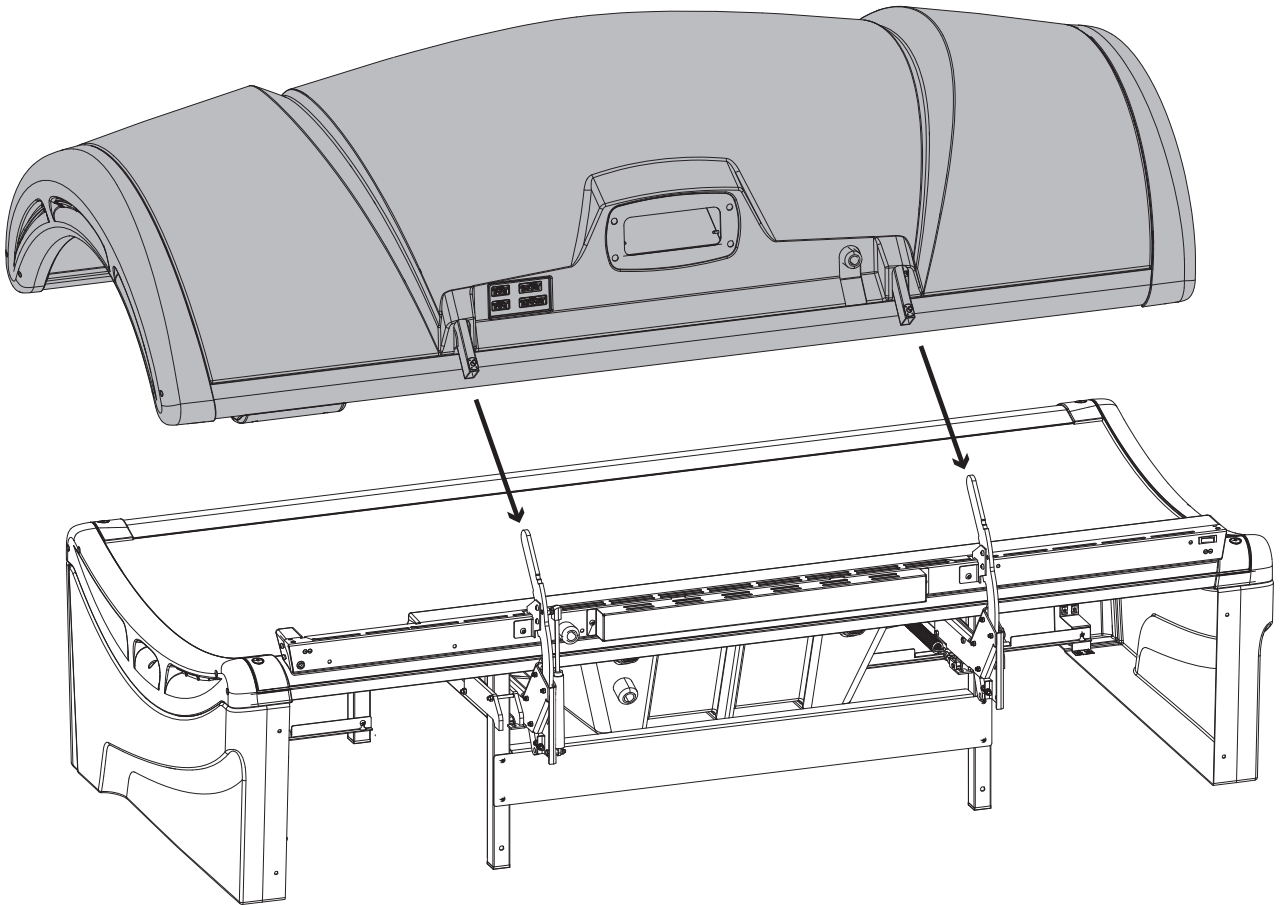
21591

22850 Decoshield plus 'RGB'

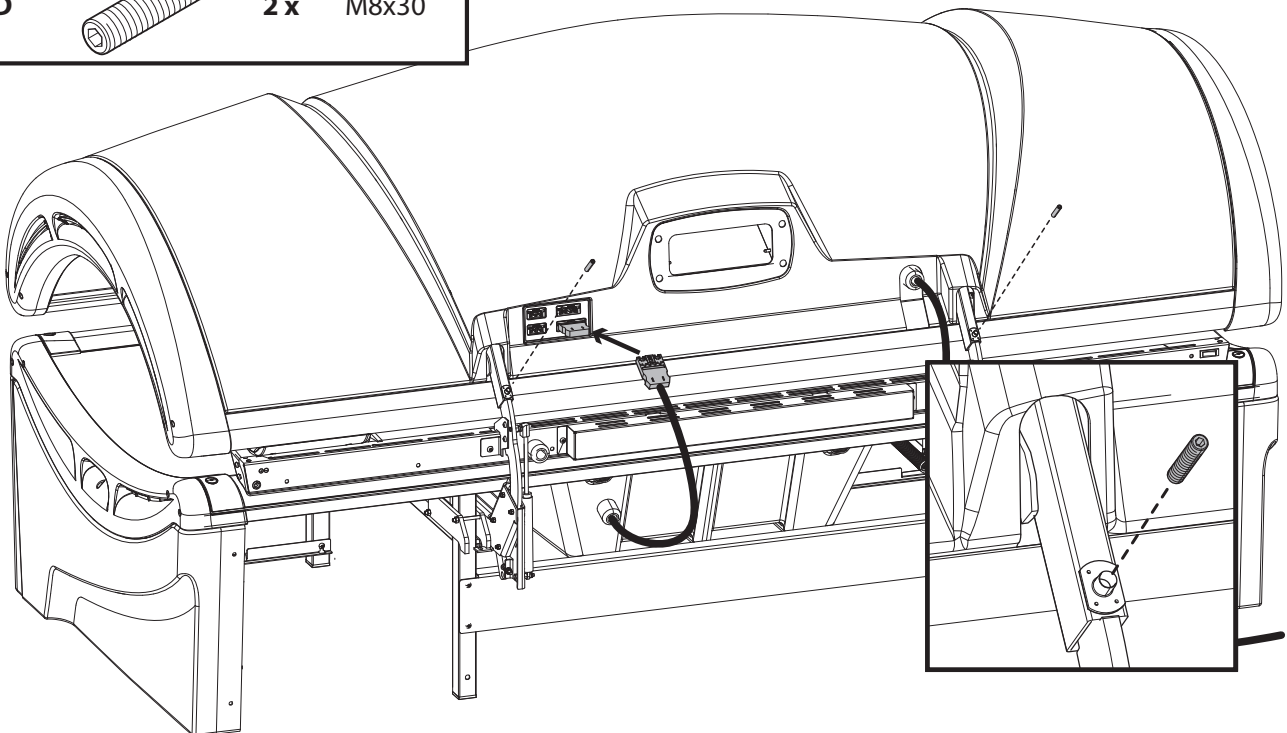
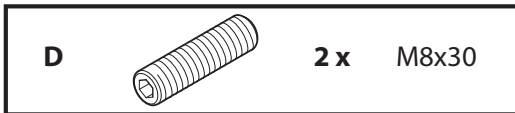


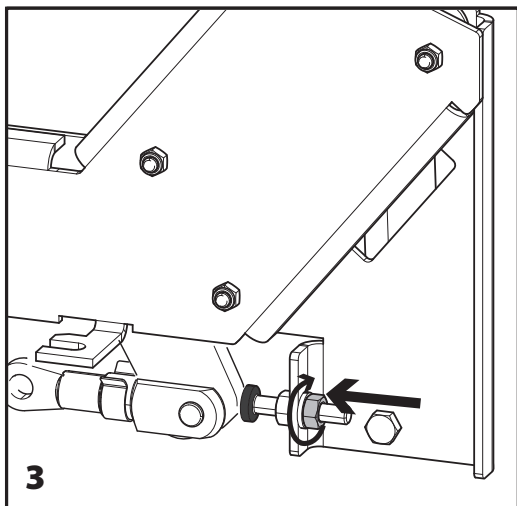
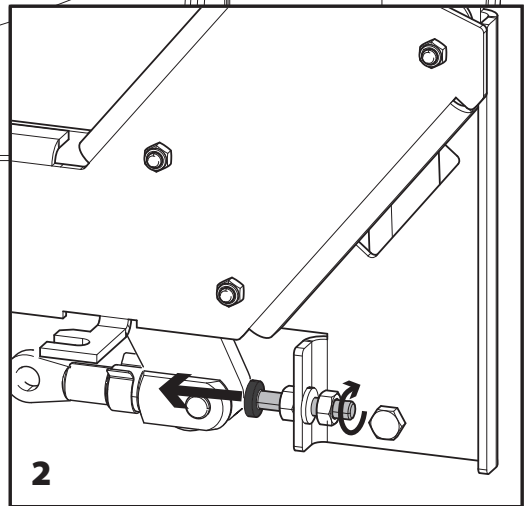
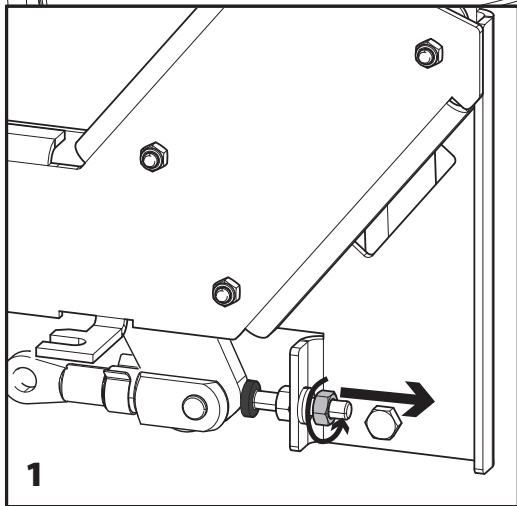
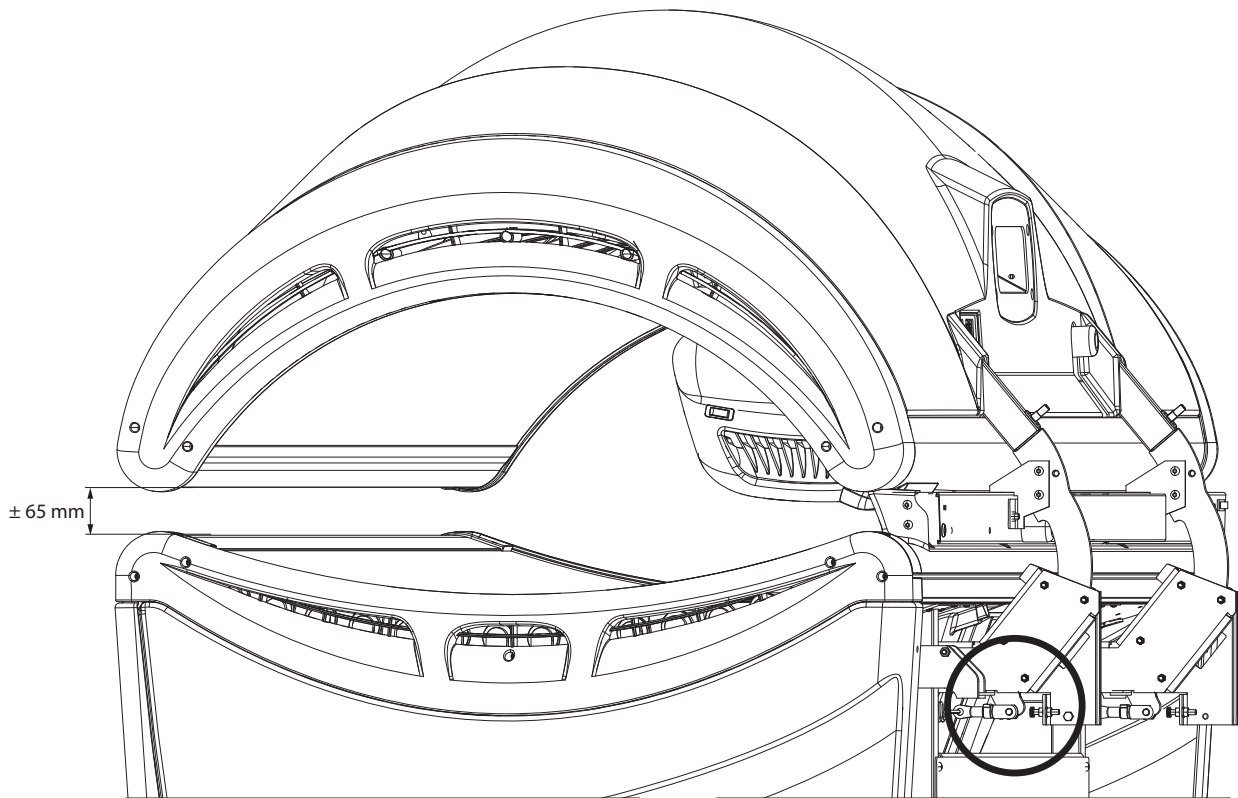
21591

8

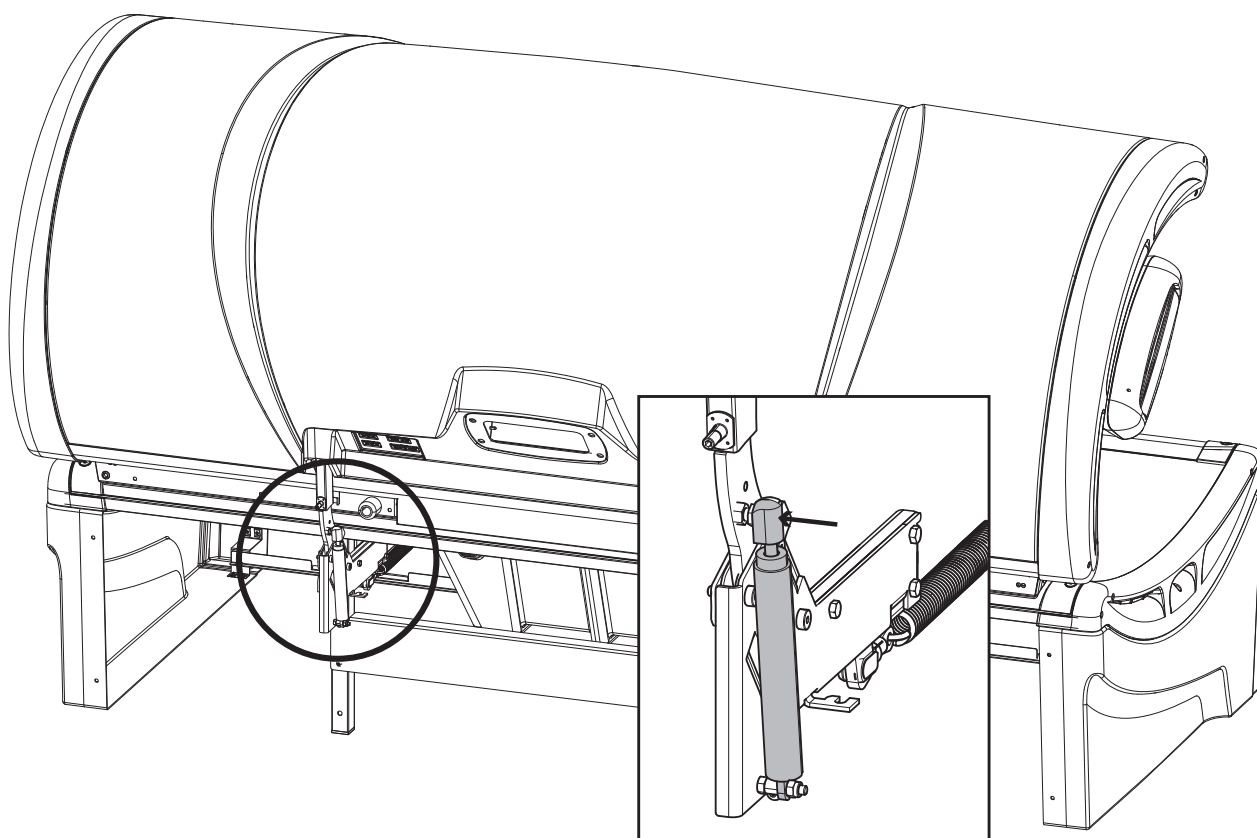


9

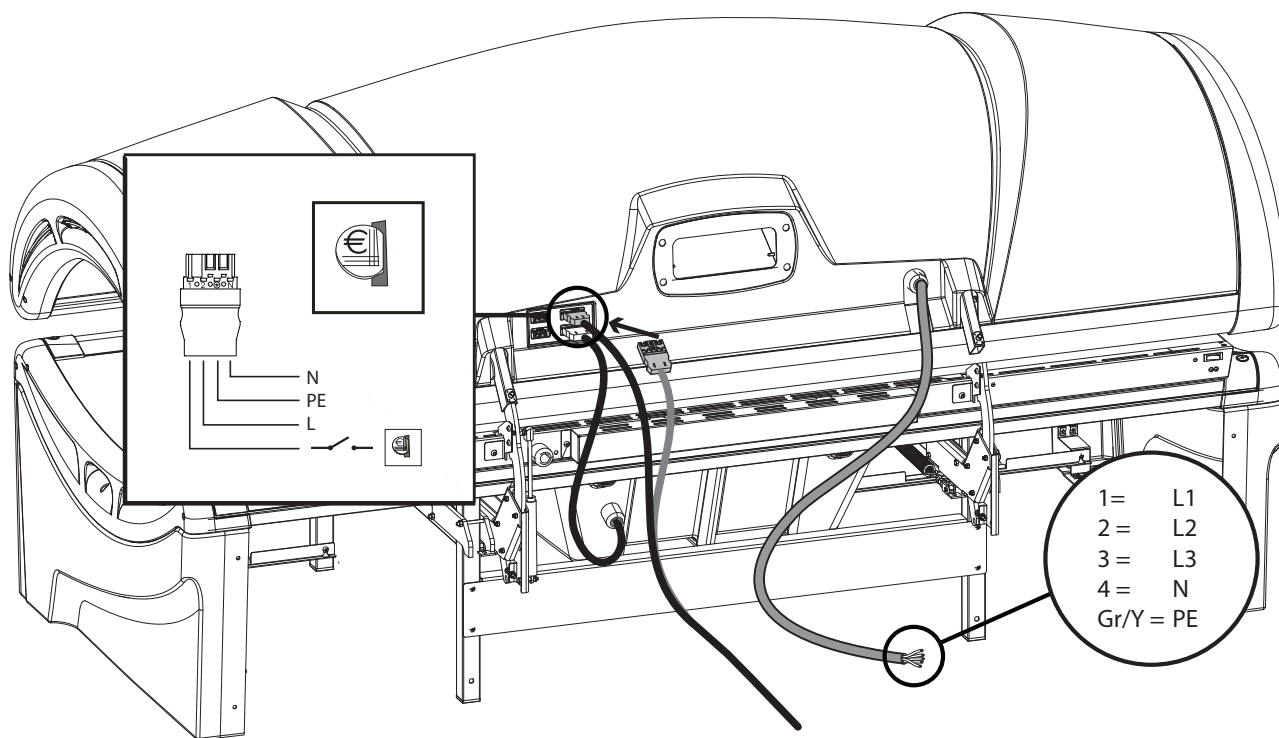




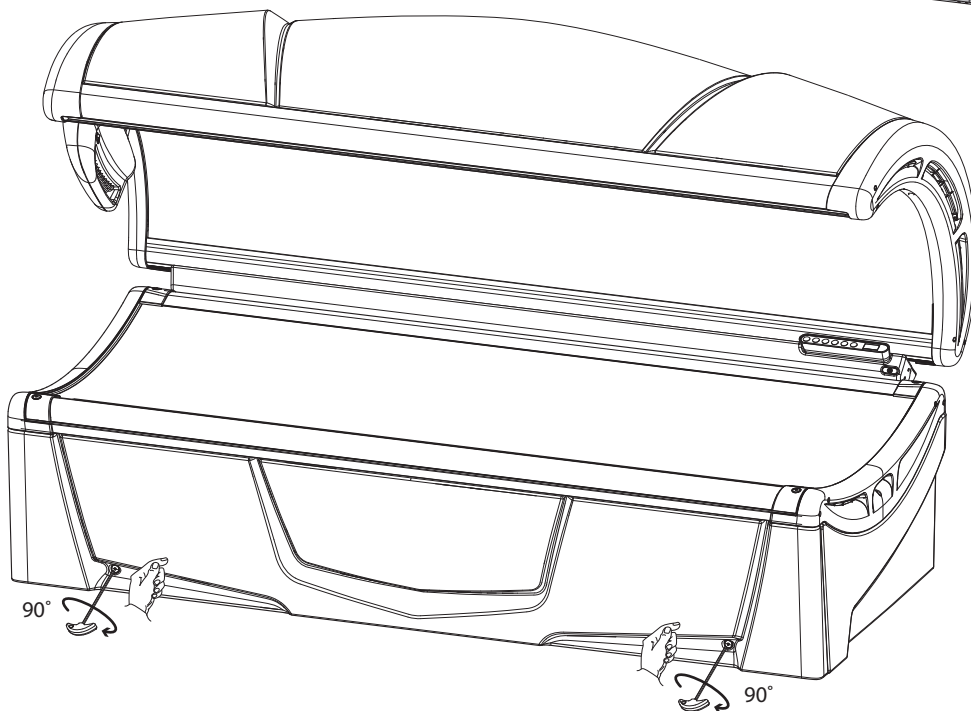
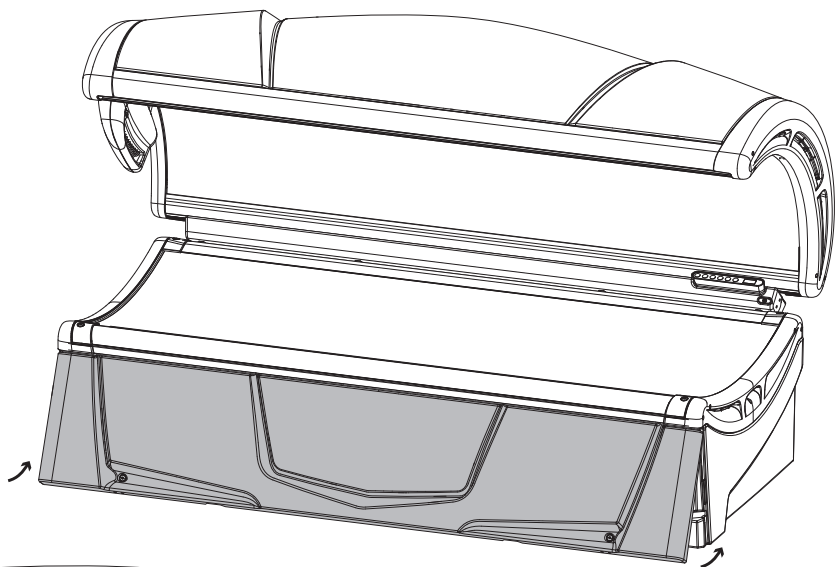
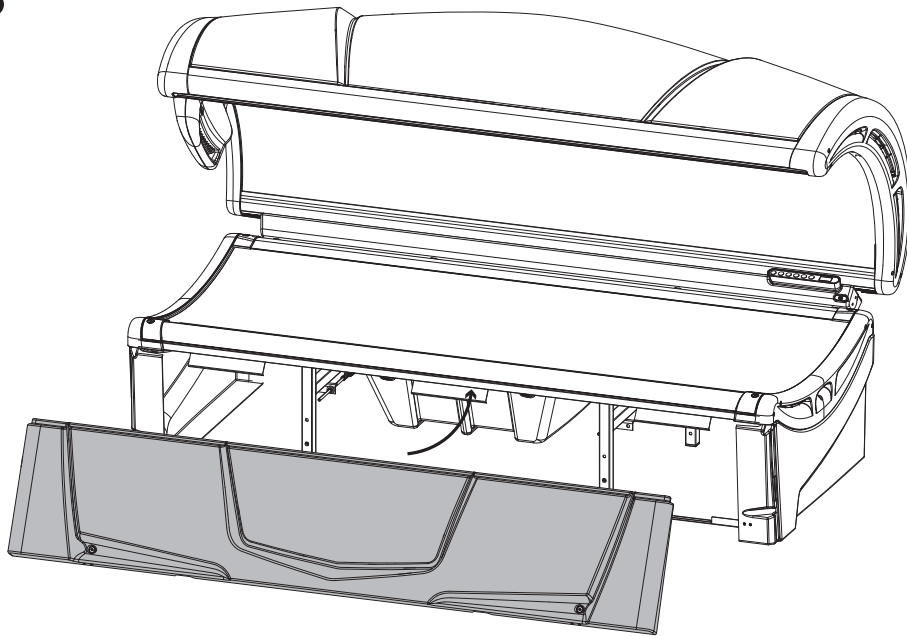
11



12



13



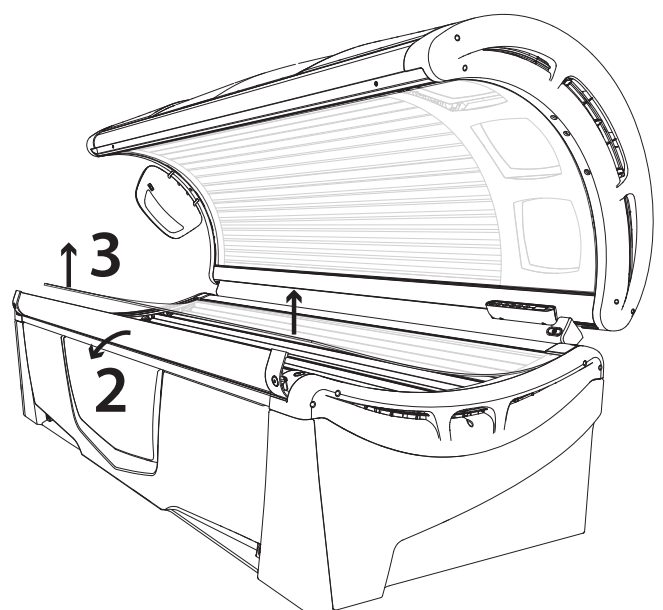
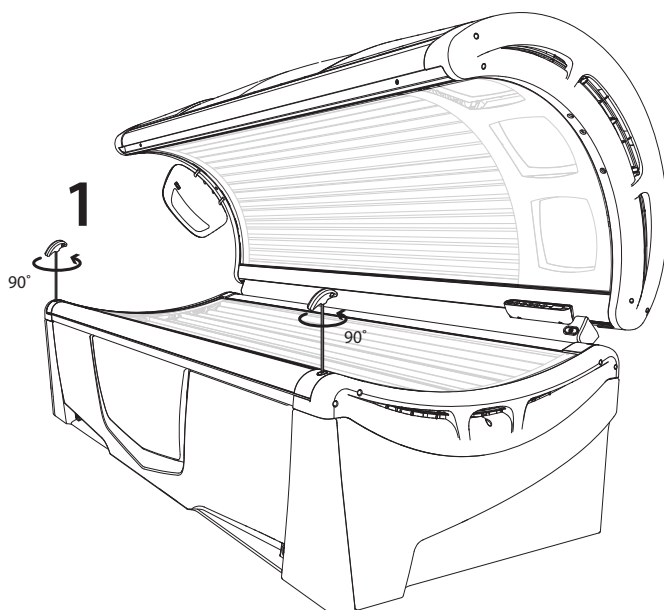
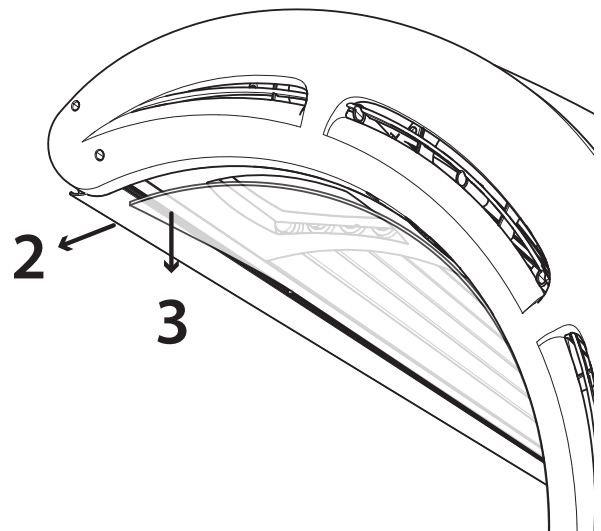
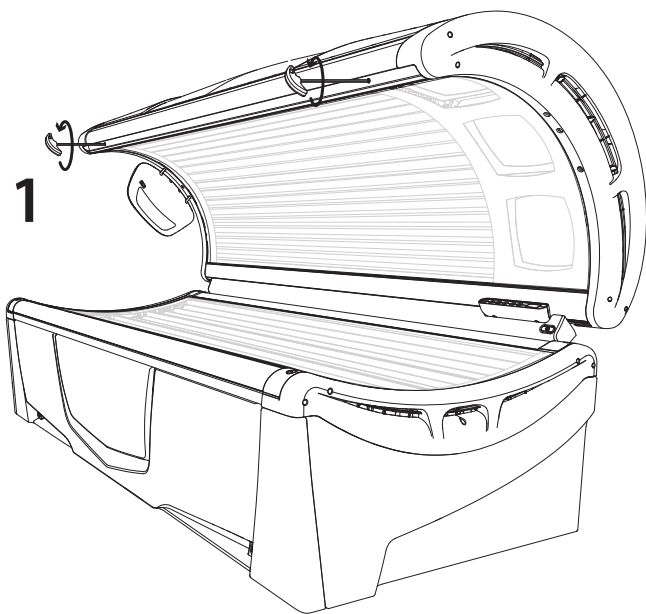
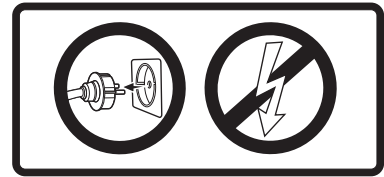
Removing the acrylic sheets, Demontage der Akrylplatten, Demonteren van de acrylplaten, Démontage des plaques en acrylique

ENG **Warning!**
Before obtaining access to terminals, all supply circuits must be disconnected.

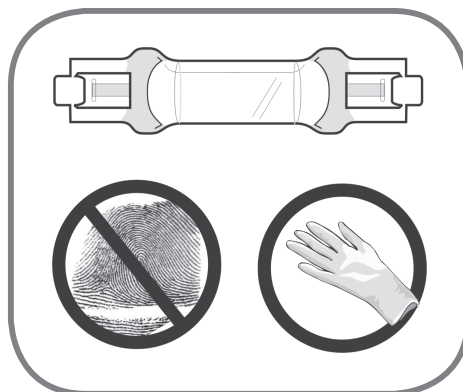
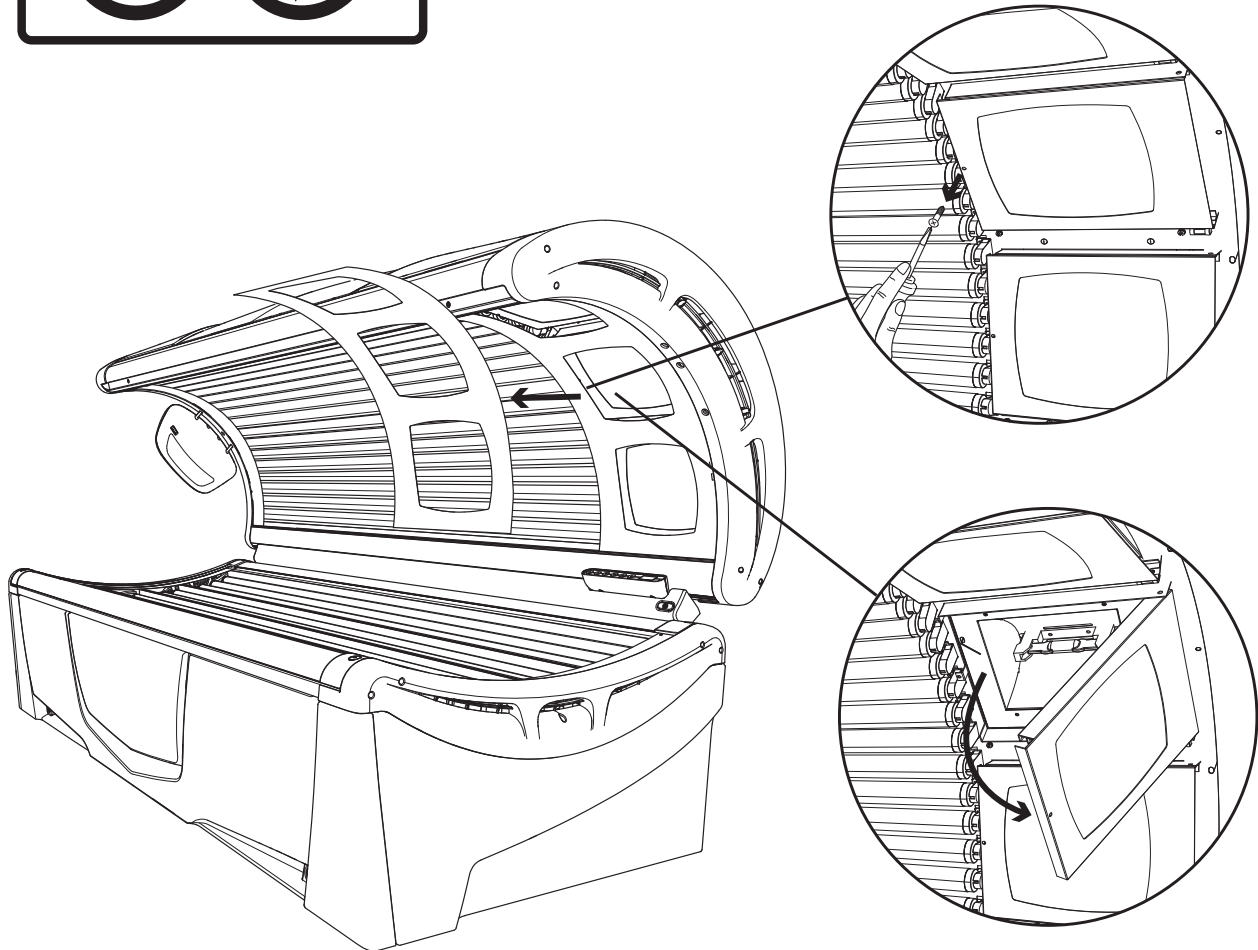
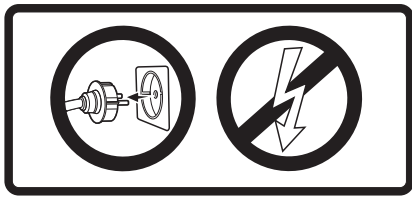
DEU **Achtung!**
Vor allen Wartungsarbeiten, das Gerät vom Netz trennen

NLD **Let op!**
Alvorens onderhoud te plegen, het toestel spanningsvrij maken.

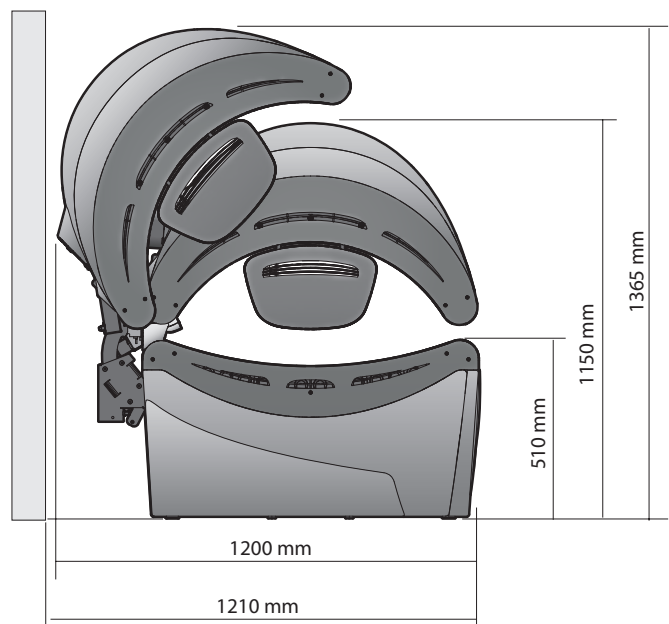
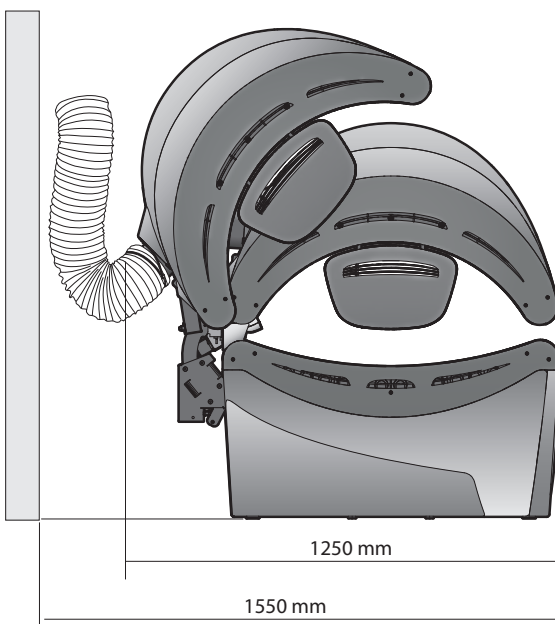
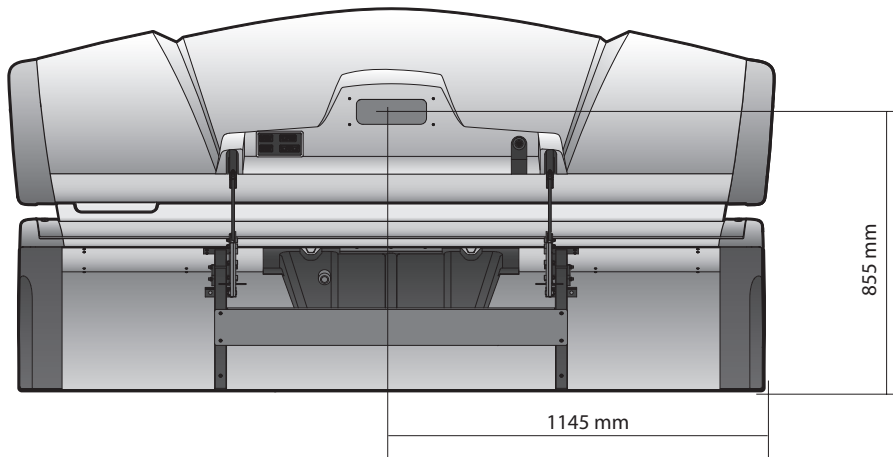
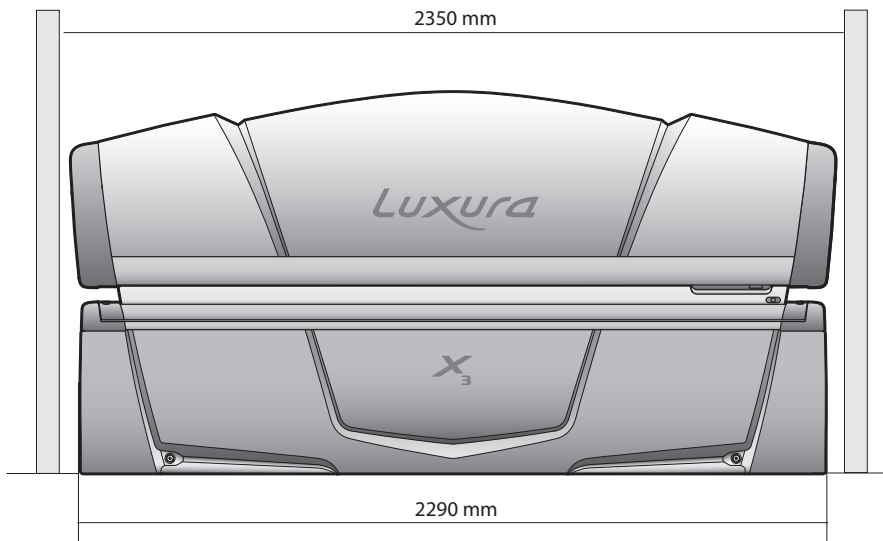
FRA **Attention!**
Débranchez l'appareil avant de procéder à son entretien



Removing the face tanners, Herausnehmen der Gesichtsbräuner, Uitnemen gezichtsbruiners, Démontage des lampes visage



Dimensions, Abmessungen, Afmetingen, Dimensions



Technical data, Technische Daten

Technische gegevens, Données techniques

30 SLi

Voltage 230V/1N~/PE/50Hz
Wattage 2910 W
Fuse 1 x 16 A

Voltage 230V/3~/PE/50Hz
Wattage 4280 W
Fuse 3 x 10 A

Voltage 400V/3N~/PE/50Hz
Wattage 2980 W
Fuse 3 x 10 A

Lamps canopy 10 x 120 W
6 x 100 W
Lamps bench 14 x 120 W
Face tanner 1
Soft lamps -
Weight (excl. options) 245 kg
Weight (incl. options) 245 kg

30 SPr

Voltage 230V/1N~/PE/50Hz
Wattage 2720 W
Fuse 1 x 16 A

Voltage 230V/3~/PE/50Hz
Wattage 4410 W
Fuse 3 x 10 A

Voltage 400V/3N~/PE/50Hz
Wattage 2800 W
Fuse 3 x 10 A

Lamps canopy 16 x 120 W
Lamps bench 14 x 120 W
Face tanner -
Soft lamps 9 x 25 W
Weight (excl. options) 245 kg
Weight (incl. options) 245 kg

32 SLi

Voltage 230V/1N~/PE/50Hz
Wattage 3780 W
Fuse 1 x 20 A

Voltage 230V/3~/PE/50Hz
Wattage 6620 W
Fuse 3 x 16 A

Voltage 400V/3N~/PE/50Hz
Wattage 3800 W
Fuse 3 x 10 A

Lamps canopy 18 x 100 W
Lamps bench 14 x 120 W
Face tanner 3
Soft lamps -
Weight (excl. options) 255 kg
Weight (incl. options) 255 kg

32 SLi Intensive

Voltage 230V/1N~/PE/50Hz
Wattage 4640 W
Fuse 1 x 25 A

Voltage 230V/3~/PE/50Hz
Wattage 8060 W
Fuse 3 x 16 A

Voltage 400V/3N~/PE/50Hz
Wattage 4730 W
Fuse 3 x 10 A

Lamps canopy 18 x 160 W
Lamps bench 14 x 120 W
Face tanner 3
Soft lamps -
Weight (excl. options) 265 kg
Weight (incl. options) 265 kg



VDL Hapro bv, P.O. Box 73, 4420 AC Kapelle, The Netherlands, www.vdlhapro.com