

# NO COMPROMISE. INNERGIZE.

HAPRO WELLNESS-SOLARIUM



**Hapro**  
INNERGIZE



A LIGHTLY TANNED SKIN SUITS HIM AS WELL AS THE RIGHT RUNNING SHOE.



## INNERGIZE – AS FLEXIBLE AS YOUR WELLNESS WISHES, AS VITALISING AND GENTLE AS YOUR BODY NEEDS.

Individual wellness enjoyment begins by choosing the perfect light for your needs. You have to decide whether you want to use infrared and ultra violet light combined or only infrared light for beneficial and effective heat.

The vitalising infrared light boosts your blood circulation, relaxes muscles, removes stress and supports the regeneration process after physical exertion. Innergize infrared light has a pain-reducing effect on sensitive joints and vessels and strengthens the bone structure of your entire body.

The selectable ultra violet light gives light tanning and a natural, fresh look. It supports your body's natural vitamin D production. Innergize infrared and ultra violet light gives a positive physical feeling, noticeable vitality and overall well-being.

# INTELLIGENT AND INNOVATIVE THAT'S INNERGIZE – PRACTICALLY AND PERFECTLY IMMERSSED IN THE WELLNESS WORLD.

Fantastically innovated, Innergize makes wellness easy. With Innergize through a variety of functions and features, you can enjoy entire well-being comfort. This begins with the



design of the wellness solarium. The smart and unique folding mechanism makes it possible: With a few moves you place the Innergize in the right position. With its integrated wheels Innergize is easy to move and very mobile. Wherever you want to feel good, Innergize goes, it fits anywhere. The slim-line shape and muted colours harmoniously blend into any room décor vertically and horizontally. When disassembled Innergize is compact and not much bigger than a sport's bag.

REAL RELAXATION HAS TO BE A PART  
OF LIFE, INNERGIZE CAN FIT INTO ANY  
PART OF YOUR LIFE.



COMPACT AND COMPLETE WELLNESS  
COMFORT, THAT EVERYONE WISHES FOR.  
THE INNERGIZE FOR YOU.

YOU'LL LOVE HOW UNCOMPLICATED  
INNERGIZE IS, BECAUSE LIFE IS  
COMPLICATED ENOUGH.



Escape the daily grind! It's time for the Innergize wellness experience. Unwind, cut down the stress, and let your body relax, feel good and look more attractive. Enjoy wellness with all your senses, and in exclusive comfort.





HIS JOINTS LOVE INFRARED LIGHT.  
HER BLOOD CIRCULATION TOO.

The Hapro Innergize HP 8580 turns your wellness wishes into reality. It has every feature you need, including a distance meter for safe and effective tanning, 2 pairs of UV-protection goggles, a digital timer and aromatherapy fragrances, Green Oasis, Summer Blue and Orange Valley. The Hapro Innergize is the cutting edge of wellness-comfort. Besides combined infrared and ultraviolet lighting, it lets you use infrared alone whenever you want, whenever you wish. The hour counter, timer, snooze and repeat functions give you total control. The digital display makes it easy to set any of these features.





INNERGIZE WILL ALWAYS BE THERE FOR YOU. FAST AND EASY – READY TO GET YOU RELAXED IN JUST SECONDS.

- Enjoy wellness in just a few moves with Innergize: lie Innergize on the floor, release the unlocking device on the stand head, the feet come out automatically.



- Position Innergize, release the unlocking device on the bottom of the display and adjust the lamp height.



- Turn the lamp head horizontally. A safety function ensures that Innergize can only be operated in this position.

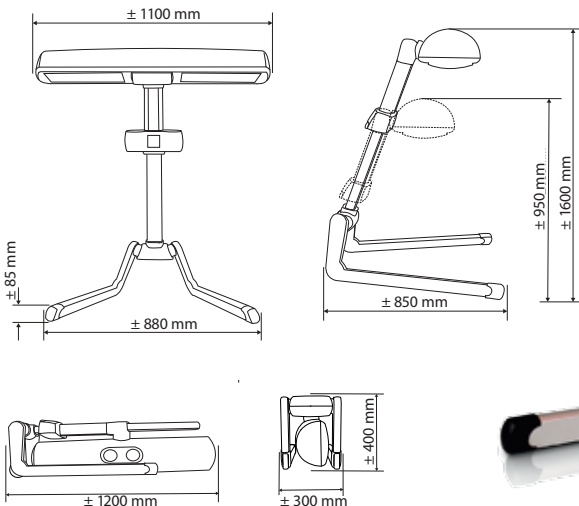
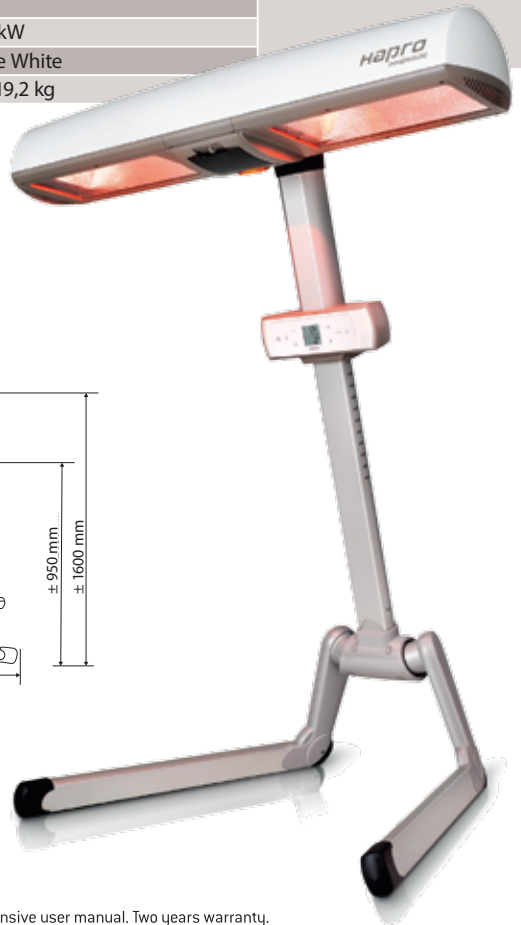


- You're all set – in less than 10 seconds Innergize is ready to use. With its integrated wheels Innergize is easy to move.

	Hapro Innergize HP 8580	Hapro Innergize 8550
Lamps	2 x 300 W UV – HPA 2 x infrared – 1100 W	The only difference between the Hapro Innergize HP 8580 and Hapro Innergize 8550 is that the Hapro Innergize HP 8580 has a digital display whereas the Hapro Innergize 8550 has a dial.
Reflector	Parabolic reflector	
Optimal tanning area	190 x 70 cm	
Optimal distance determination	•	
Touch screen	•	
Digital timer	•	
Operating hours	•	
Ready to use / storage	< 10 seconds	
Snooze function	•	
Repeat Function	•	
Alarm	•	
Aroma	•	
Partial body session*	•	
Imultaneous use of UV and infrared lamps	•	
Infrared only	•	
UV-protection goggles (2 pairs)	•	
Power	2,2 kW	
Colour	Pure White	
Weight	ca. 19,2 kg	

\* One side of the Hapro Innergize will be switched on

• = Standard – =Not applicable





#### Sunny certainty

A choice for Hapro sunbeds is a choice for certainty. All the appliances meet the most stringent safety regulations and have the CE and KEMA quality marks. Moreover, the appliances are carefully developed in accordance with the latest standards for tanning equipment. There's no better way to ensure responsible tanning in your home!



[www.hapro.com](http://www.hapro.com)

Hapro International, P.O. Box 73, 4420 AC Kapelle, The Netherlands